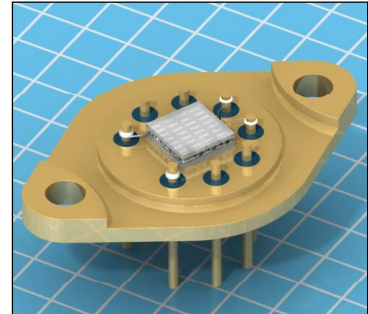


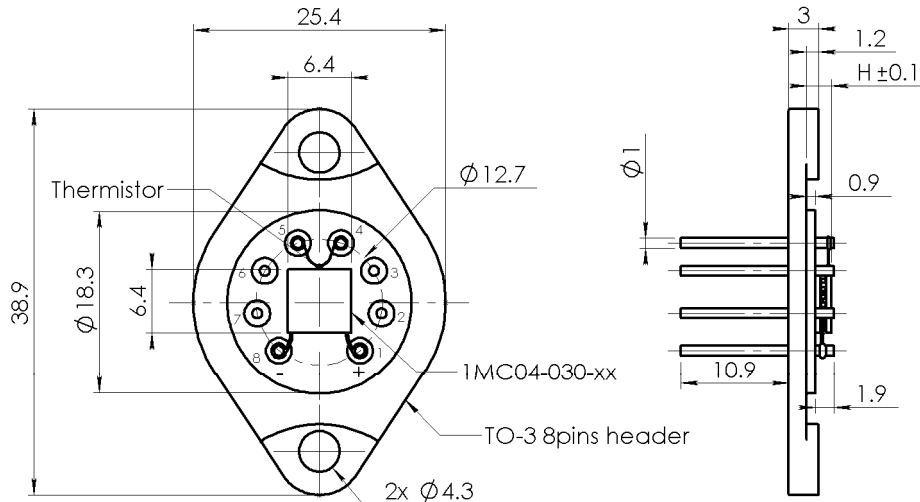
Performance parameters TO308.1MC04030xx

Mounted TEC Type	DT _{max} , K	Q _{max} , W	I _{max} , A	U _{max} , V	R _t , K/W	H, mm
1MC04-030-05	68	2.97	1.4	3.65	0.63	1.6
1MC04-030-08	70	1.95	0.9			1.9
1MC04-030-10	71	1.60	0.7			2.1
1MC04-030-12	71	1.33	0.6			2.3
1MC04-030-15	71	1.09	0.5			2.6

Performance data are given for $T_{hot}=300K$ vacuum



Technical Drawing



Ordering Options

A. Header material
CRS (Cold Rolled Steel)

B. Header finish
Gold plating

C. TEC Internal Solder
Solder 230 (SnSb, $T_{melt}=230^{\circ}C$)

D. TEC Mounting

- Soldering
 - Solder 199 (SnZn, $T_{melt}=199^{\circ}C$) (used as standard)
 - Solder 138 (SnBi, $T_{melt}=138^{\circ}C$)
 - Solder 183 (PbSn, $T_{melt}=183^{\circ}C$)
- Epoxy gluing

E. TEC Leads Connection
Solder 230 (SnSb, $T_{melt}=230^{\circ}C$)

F. TEC Ceramics

- Pure Al_2O_3 (100%) - standard
- Alumina (Al_2O_3 - 96%) - optional
- Aluminum Nitride (AlN) - optional

G. TEC Cold Side Finish

- Blank ceramics
- Metallized
 - Ni / Sn(Bi)
 - Gold plating
- Metallized and Pre-tinned
 - Solder 94 (PbSnBi, $T_{melt}=94^{\circ}C$)
 - Solder 117 (InSn, $T_{melt}=117^{\circ}C$)
 - Solder 138 (SnBi, $T_{melt}=138^{\circ}C$)
 - Solder 183 (PbSn, $T_{melt}=183^{\circ}C$)
 - Solder 199 (SnZn, $T_{melt}=199^{\circ}C$)

H. Thermistor (optional)
NTC thermistor type TB
Resistance nominal

- 2.2 kOhm@20C
- 10.0 kOhm@20C

Individual calibration is available in -65..+85°C

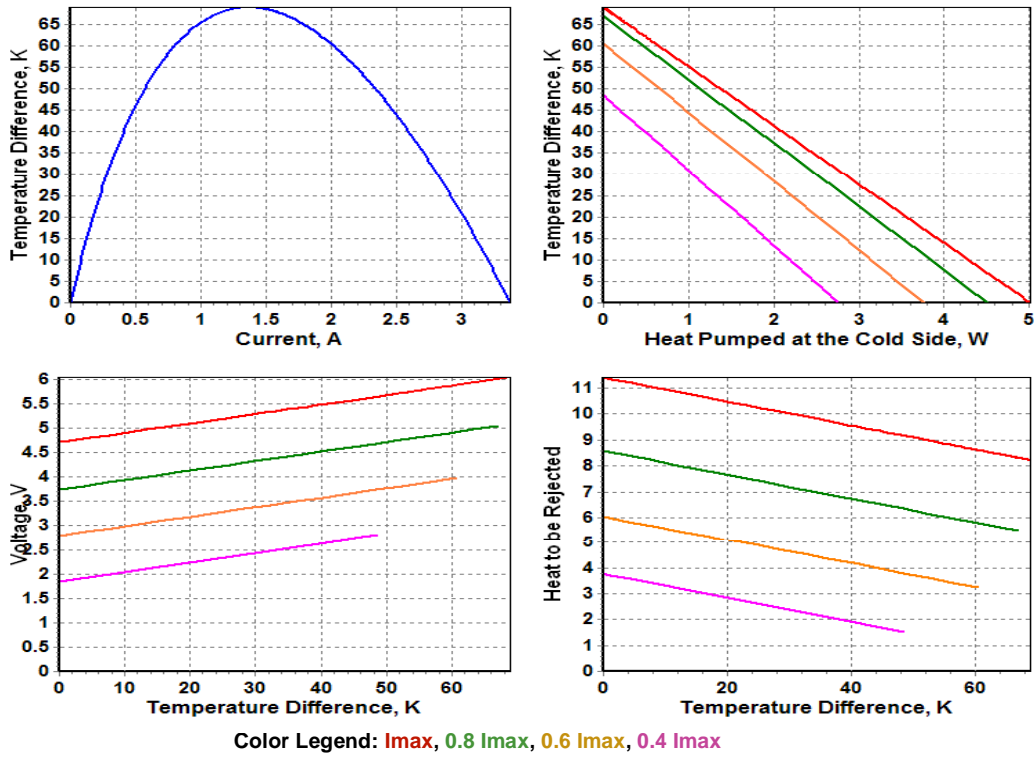
I. Thermistor Mounting
Epoxy Gluing

J. Thermistor Leads Connect
Solder 230 (SnSb, $T_{melt}=230^{\circ}C$)

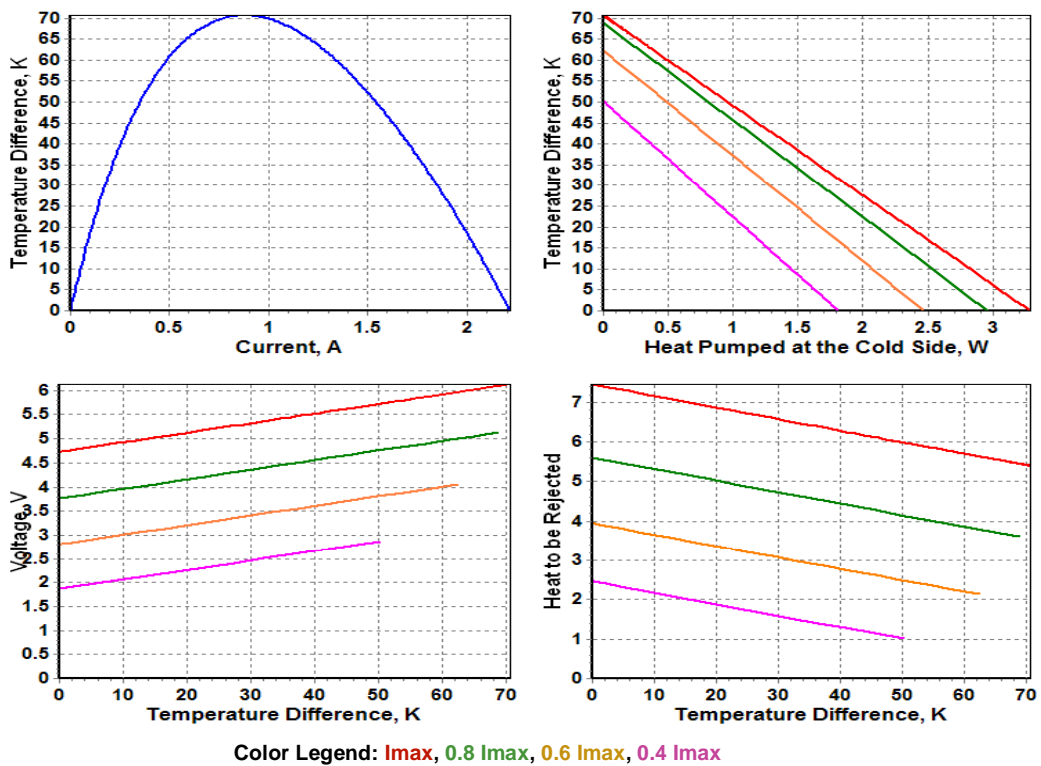
K. Pinout configuration
Can be specified by customer

Thermoelectric Sub-mount Datasheet *RMT Ltd.*

TO308.1MC0403005 Standard Performance Plots

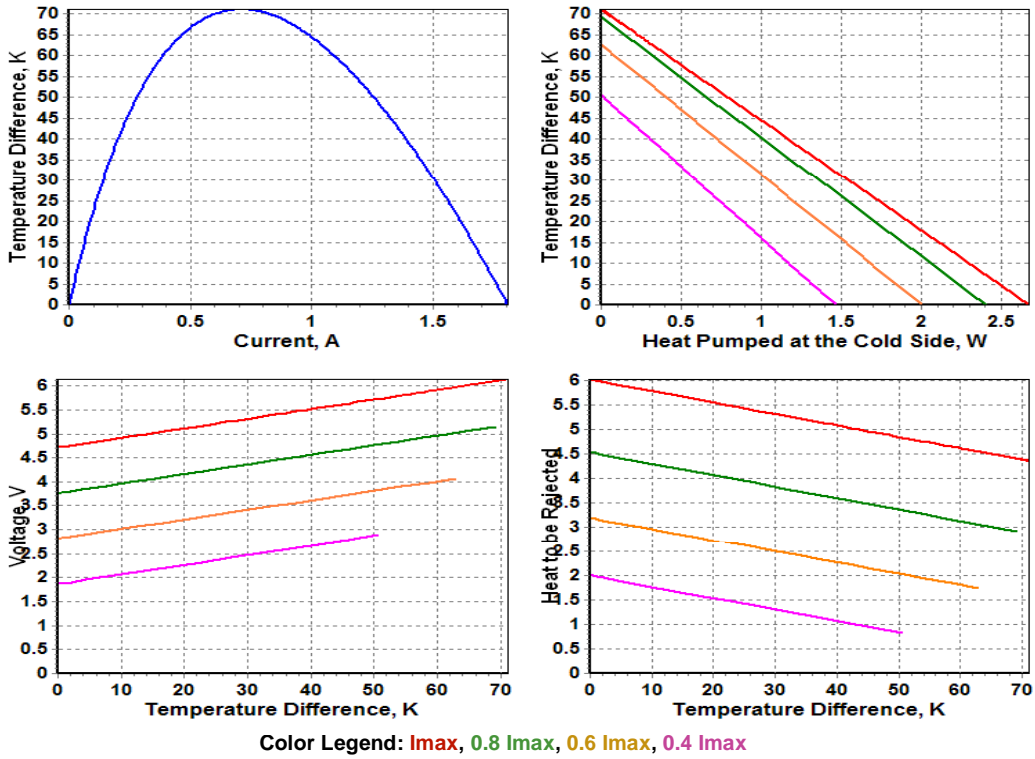


TO308.1MC0403008 Standard Performance Plots

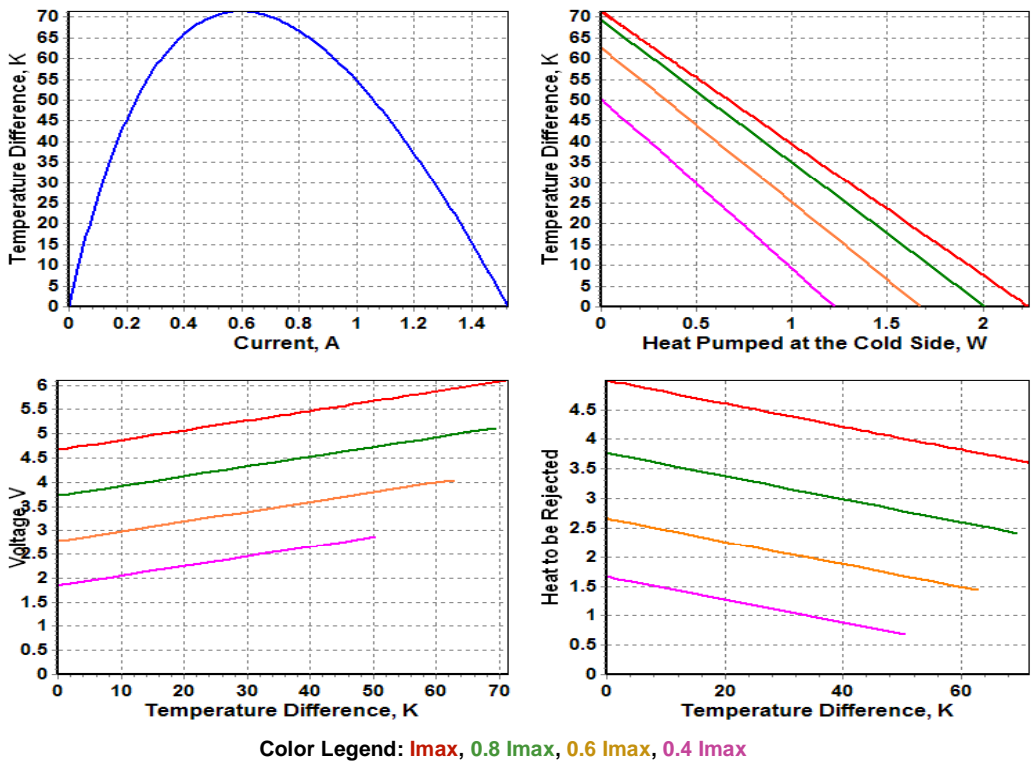


Performance plots are created with TECCAD Software. TECCAD is available for download from RMT Ltd. website - www.rmtltd.ru

TO308.1MC0403010 Standard Performance Plots



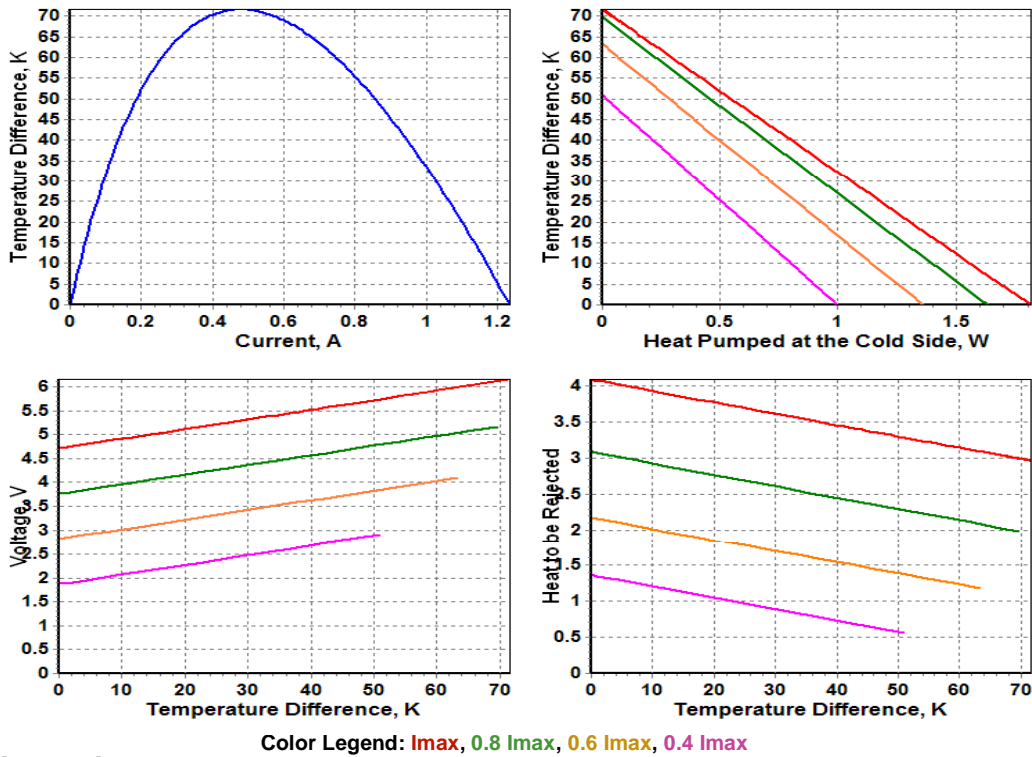
TO308.1MC0403012 Standard Performance Plots



Performance plots are created with TECCAD Software. TECCAD is available for download from RMT Ltd. website - www.rmtltd.ru

Thermoelectric Sub-mount Datasheet RMT Ltd.

TO308.1MC0403015 Standard Performance Plots



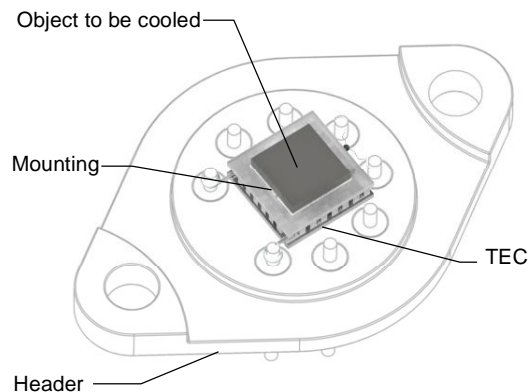
Applications Tips

Cautions

- Do not heat TE module more than 200°C (TEC assembled at 230°C) or 160°C (TEC assembled at 183°C).
- Do not use TE module without attached heat sink at hot (bottom) side.
- Connect TE sub-mount to a DC power supply in accordance to polarity.
- Do not apply DC current higher than I_{max} .

Installation

- Soldering of object to be cooled.
Method suitable for a TE module with the metallized cold side (Ordering Options. Item F). Soldering requires careful procedures:
 - Never overheat TEC (Cautions. Item 1).
 - Use solder with melting point less than TEC mounting solder (Ordering Options. Item C).
- Gluing of object to be cooled.
Method available by glues with good thermoconductive properties. Not recommended for high vacuum applications and long operations at high temperature.



Definitions

Value	Description	Notes
ΔT_{max}	Maximum temperature difference at $I=I_{max}$	rated at $Q_{max}=0$, at other Q it should be estimated as $\Delta T = \Delta T_{max}(1 - Q/Q_{max})$
Q_{max}	Maximum heat pumping capacity at $I=I_{max}$	rated at $\Delta T=0$, at other ΔT it should be estimated as $Q = Q_{max}(1 - \Delta T/\Delta T_{max})$
I_{max}	Maximum current	Electric parameters resulting in greatest ΔT_{max}
U_{max}	Maximum voltage drop	
R_t	Header thermal resistance	
-xx	Thermoelectric pellet length code	Pellet length is "-xx" x 10 (in mm)
T_{hot}	TEC hot side temperature	Performance data shown in specifications are given for $T_{hot}=300$ K, vacuum
H	Total TEC height	All dimensions are given in mm